

MARKANT

Accessories

Extra functionality





Monitor arms

Markant offers various options for making optimal use of monitors in the workplace. By using a monitor arm, the worktop can be used more efficiently, because the space under the screen remains free. There is always a monitor arm that can be catered to your every need and situation. All our monitor arms are equipped with a compatible mount for the universal Vesa 75 and 100 sizes.

Zoom series

The Zoom series offers high quality monitor arms which will be an ideal solution for fixed worktop. Depending on the desired viewing distance, you can decide for yourself which monitor arm is suitable for your situation. With the Zoom100, the monitor comes directly opposite the stand. The Zoom102 has a double arm with hinge points, which makes it possible to bring the monitor closer or to move it to the side.

The Zoom monitor arms are fully rotatable and the height is easily adjusted to 9 cm. The cable guide also prevent the cables from hanging loose.



Zoom 100

Zoom 102

Zoom 102 Twin

Q4 series

With the Q4 program, Markant offers a modular and space-saving solution, in which several screens per worktop can be used. As a whole, the Q4 program provides the office with a uniform appearance, in which each employee can still individually set the height and viewing distance per screen. The screens can be tilted up and down by up to 15° for an adjusted viewing angle.



Q4 Zoom 100 dual monitor



Q4 Zoom 102 dual monitor



Q4 Zoom 102



Blade clamps

There are several ways to attach the Zoom and Q4 monitor arms to the desktop. The M12 mount is the standard attachment joint, which allows the monitor arm to pass through the blade to be secured. The Roset mount is also available for running the cables through the top of the blade. However, some people prefer not to drill into the desktop. Therefore, the Zoom desk clamp offers a solution for this. This clamp fits on sheets between 8 and 42 mm. Lastly, there is the Flex clamp. This is a wider blade clamp that is mainly used when using heavier screens, or when extra stability is required.



« Zoom desk clamp

Zoom desk clamp from Markant: desk clamp with a desktop thickness between 8 and 42 mm (0.3 and 1.65 inches). Used for mounting products within the Zoom Series, at a desk, when cable management is not required.

M12 desk connector »

M12 desk connector from Markant: the connector is screwed through the desk without cable management for a tabletop thickness between 12 and 30 mm (0.47 - 1.2 inches). Applicable for both Zoom and Q4 Series products.



« Flex clamp

Flex clamp from Markant: starting from two screens or more, extra stability is a necessity. The flexible clamp offers a safe and secure solution in combination with the Zoom 102 Twin and various Q4 configurations. For tabletop thicknesses between 8 and 38 mm (0.3 and 1.5 inches), without cable management.

Roset »

Roset by Markant: it is a desk connector with the possibility of cable management up to a maximum of 6 cables. Applicable for both Zoom and Q4 series products with a tabletop thickness between 13 and 29 mm (0.4 and 1.2 inches). 13 en 29 mm (0,4 en 1,2 inch).



ZoomFlex series

The Zoomflex monitor arms are equipped with a gas spring with a range of 2 to 10 kilograms. As for the dual arm, it is sufficient enough for the weight of two 27" monitors. The strength of the gas spring can be adjusted to the weight it has to carry. As the height of the Zoomflex is adjustable, it is definitely user-friendly. This monitor arm is ideally suited for the avid user or for ensuring a flexible workspace.

The quick release mechanism makes it possible to quickly and easily place the screens on the Zoomflex and to remove them again.

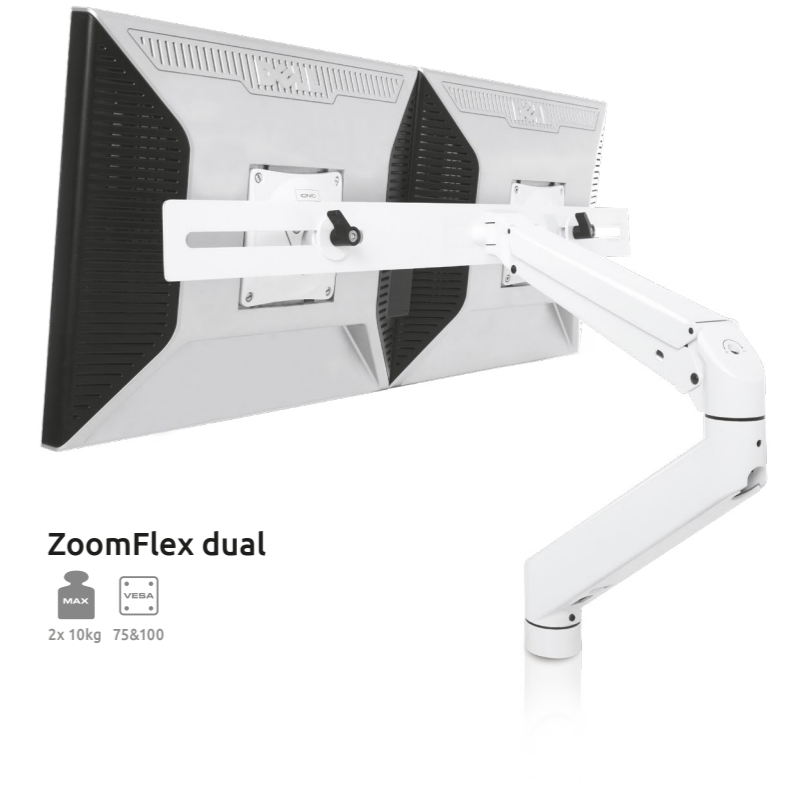
*For the Zoomflex, there is an optionally personalised model of the blade clamp available. With its robust base, this blade clamp provides a lot of stability.

ZoomFlex blade clamp



ZoomFlex

MAX VESA
10 KG 75&100



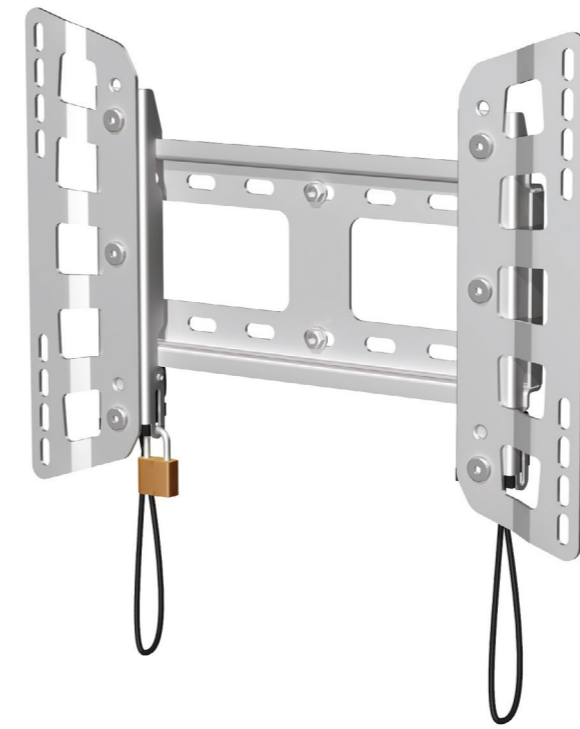
ZoomFlex dual

MAX VESA
2x 10kg 75&100



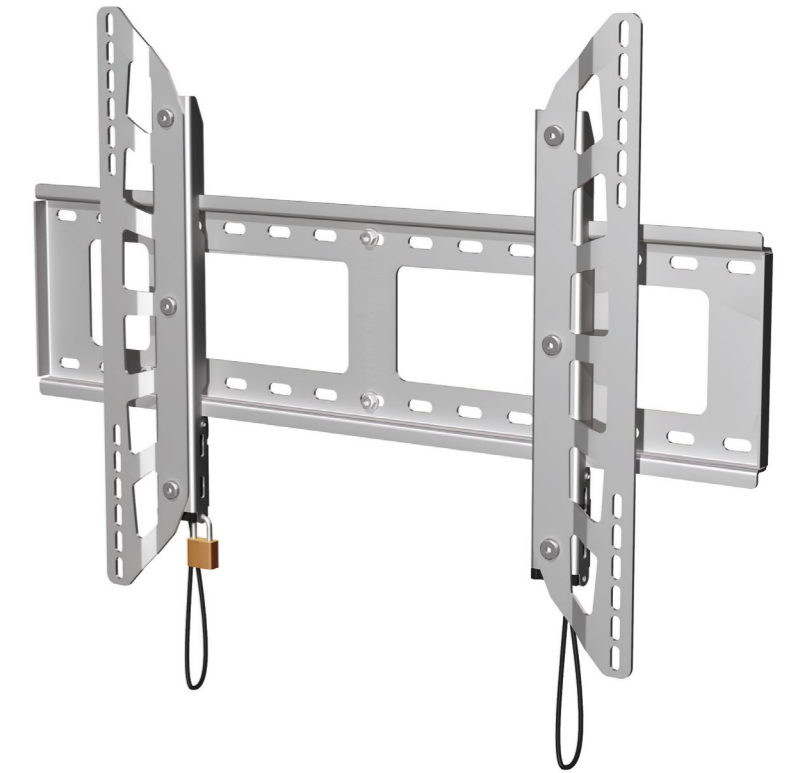
Plano series

The Plano series offers a solution where a monitor can be mounted on a flat wall. Thanks to the advanced click system, the installation can be carried out quickly and easily. Disconnection is just as quick by means of the supplied drawstrings. A safety lock is also included. The Plano is suitable for screens 26 - 52 inch, and the range of the XL version can handle screens from 32 - 60 inch.



Plano

Plano by Markant: for the ultimate flat wall mounting of LCD/Plasma screens from 26 inches with a maximum of 75 kg (165 lbs).



Plano XL

Plano XL by Markant: with a distance to the wall of less than 3 cm (1.2 inches) the Plano XL is the ultimate flat wall mounting option for LCD/Plasma screens from 32 inches with a maximum of no less than 100 kg (220 lbs).





CPU holders

With the use of a CPU holder, you can be ensured that the computer is neatly underneath the desk and thus no longer obstructs the worktop or the floor. This ensures a tidy workspace, where your computer's cables are hidden beneath the desktop.

Space-A CPU holders are easy to use and can be adjusted to almost any size of computer. With a range between 60x240mm and 250x580mm, the Space-A is suitable for almost any type of CPU. In addition, the Space-C offers a solution for a slim model CPU or Q4 Thin client. The adjustability of this CPU holder is between 30x175mm and 115x320mm.

CPU

Together with the use of a Q4 Thin client holder, you can also choose to combine this with the Q4 series. This keeps the space under the worktop even more free and less cluttered. Due to the short distance between the Q4 Thin client and the monitor, loose cables will become a thing of the past.



Q4 Thin Client



Space-A

Laptop

Markant also provides a solution for the use of laptops. The Vesa laptop support is ideally suited in combination with Q4, so that you can work with an extra screen in addition to the laptop. With the Traveler, you always have a handy fold-out laptop at hand when you're on the move.



Vesa laptop support



Traveler

Charging

An important aspect of the workplace is the presence of a charging zone and possibly other available port connections, so that the needs of the user can be met. Ideally what comes to mind are charge points for laptops or USB chargers for a tablet or phone.



Media hub

The Media Hub is a sleekly designed desktop power strip. With connections for both power and USB chargers, the Media Hub is ideal for flexible workplaces. In addition, there are various options for charging such as set-up and built-in units, in which, among other things, connections for data and/or images can be integrated.



Media Hub Black



Media Hub White



Flex Hub



Powerframe Cover

Cable management

There is a solution for every conceivable situation to neatly conceal your cables. In an office space, cables can come from anywhere - from the ceiling, from the floor or from the wall.

Markant offers a solution for every situation in order to neatly and safely conceal these cables throughout the workplace. Once you have arrived at the workplace, you want to store the cables neatly there as well. A cable tray or wire basket under the desktop is extremely suitable for this purpose. This ensures a neat, tidy and organized workplace.

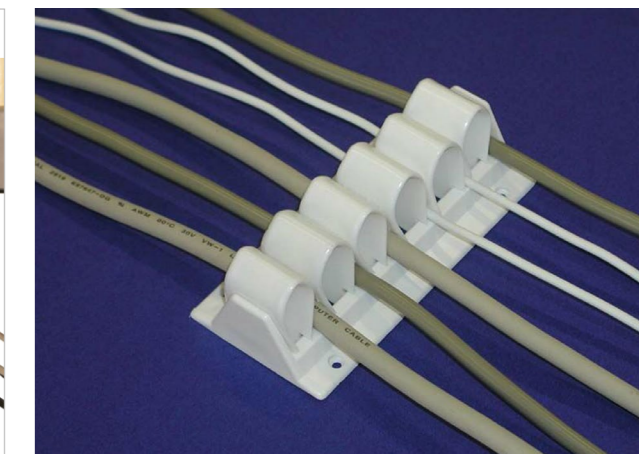
Cable column



Wirebasket



Cabletray



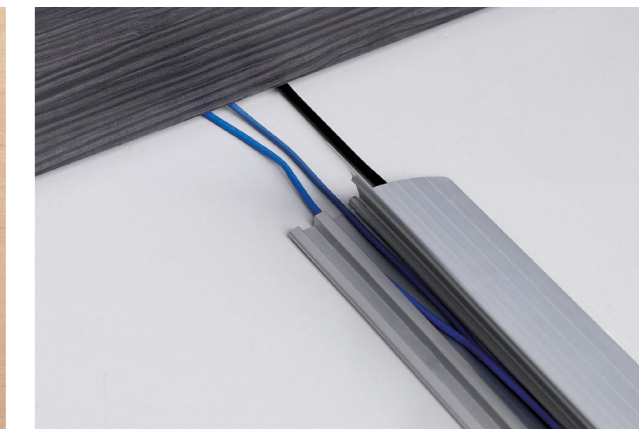
Cable grip



Flex cable spine



Cable grommet



Cable tunnel

Screens

The installation of a partition wall gives employees more privacy in the workplace. As a result, they are less likely to be distracted and therefore more productive. In addition, a partition wall ensures better acoustics in the room, because it contributes to the attenuation of sounds. The use of partition walls will reduce the inconvenience experienced by colleagues in a meeting or on the phone.

The E-panel is a slender partition wall without a frame. Thanks to its very light weight, the E-panel is extremely suitable for use in single and combined workplaces. Due to the structure of the ecologically sound core, the E-panel is also very strong. Moreover, this core is fully reusable.



The modular system offered by MyScreen makes it possible to build a larger format of partition walls. By using an aluminum frame, the MyScreen remains lightweight. This system also makes it possible to replace the fabric padding afterwards. The Silent Space of the acoustic filling is a synthetic fiber, which is manufactured from recycled PET bottles.

Due to the different universal fixing methods, the MyScreen can be used on any desk. It is also possible to place the MyScreen as a freestanding object in the room, or to connect it to a call center setup. Even fixing it to the wall or ceiling is possible. In addition, it is possible to personalize MyScreen with an image or logo, so that you can implement the house style in the office design.



Storage

Personal storage directly at the workplace is indispensable and keeps the workplace tidy and organised.

The Swivel pen tray is an elegant storage drawer that can be used to store everyday utensils such as pens, sticky notes and paper clips. The Swivel is fully rotatable and in the closed position is neatly aligned with the desktop.



The Markant MultiDrawer is compact and stylish in design, and also offers significantly more space for the storage of personal belongings. This drawer is also lockable.

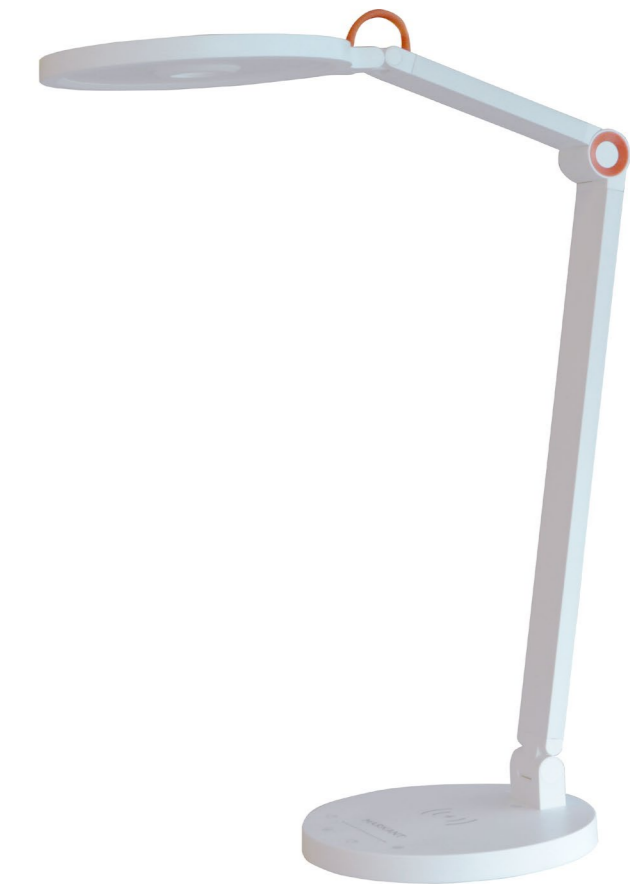




Energy led lamp

This unique lamp should never be absent in a workplace. The Energy lamp gives not only light but also energy. On the base of the lamp, your phone can be charged wirelessly. Charging port is also accessible on the side as it has a USB port for phones that do not support this.

The light output can be dimmed manually in 5 positions. You can also automatically set the correct brightness by means of the light sensor. Thanks to the built-in timer, the lamp can be switched off automatically after 1 hour so that you won't forget to do this yourself.



MARKANT

Markant Malaysia & Australia

apac@markantoffice.com

Markant The Netherlands

info@markantoffice.com

markantoffice.com